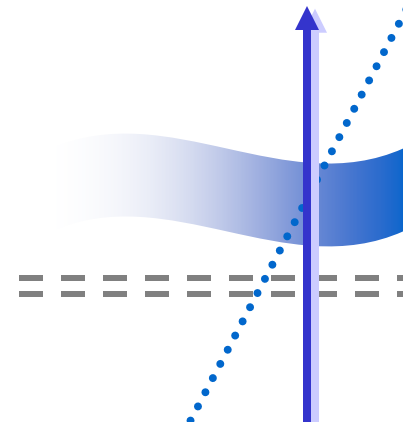
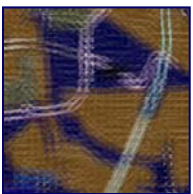
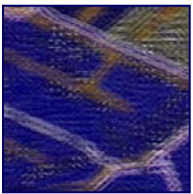
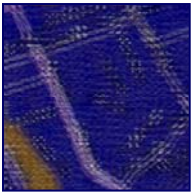
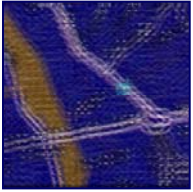
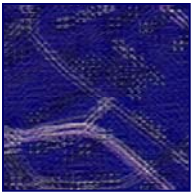


Completing WIA Eligibility

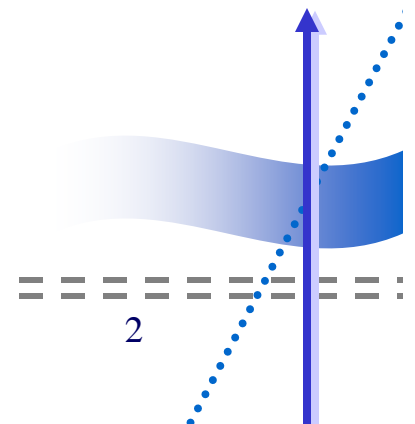
Keith R. Hyde
Presenter

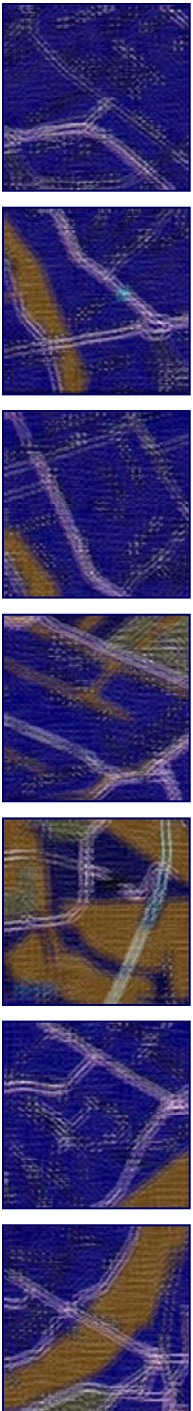




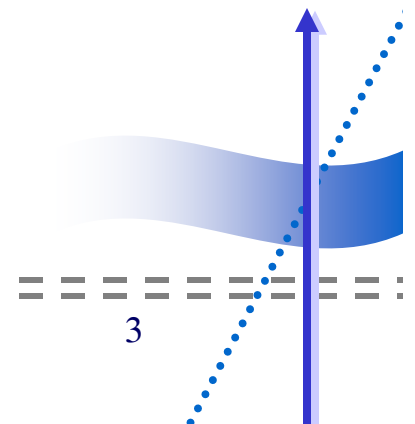
To Complete WIA Eligibility

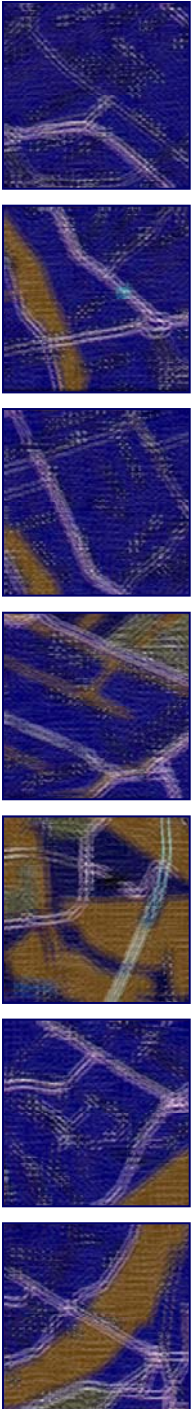
- Verify citizenship
- SSN
- Letter of layoff/WARN notice
- Verify Selective Service, if needed
- Print out survey sign & done!





- All surveys are entered/dumped to SCOTI and can be “released” back to county of residence, if customer desires





▶ **Give US A CALL**

WSU

Workforce Services Unlimited Inc.

200 E. High St., P. O. Box 220, Circleville, Ohio 43113

Phone: 740-474-7518 Fax: 740-474-9675

Email Keith R. Hyde, Executive Director at krhyde@wsu-inc.org

